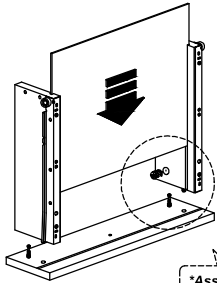


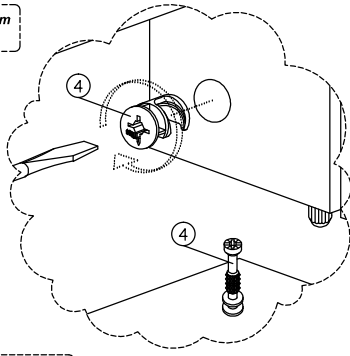
# Assembly Instruction

**Step 12**

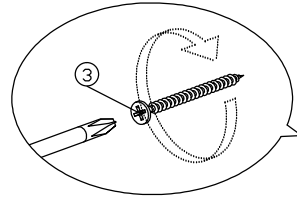
*\*Insert drawer bottom as shown.*



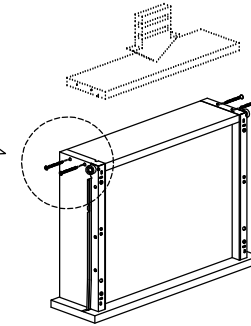
*\*Assemble panels, secure with Minifix as shown.*



**Step 13**

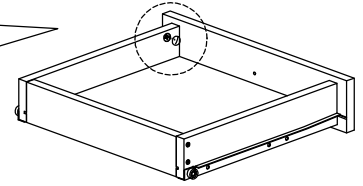
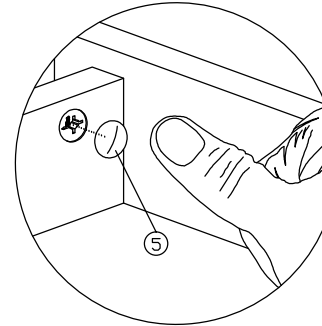


*\*Insert drawer back, secure with screw as shown.*



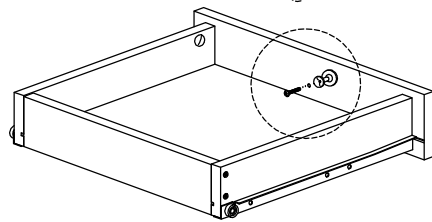
**Step 14**

*Attach Minifix Cap as shown.*



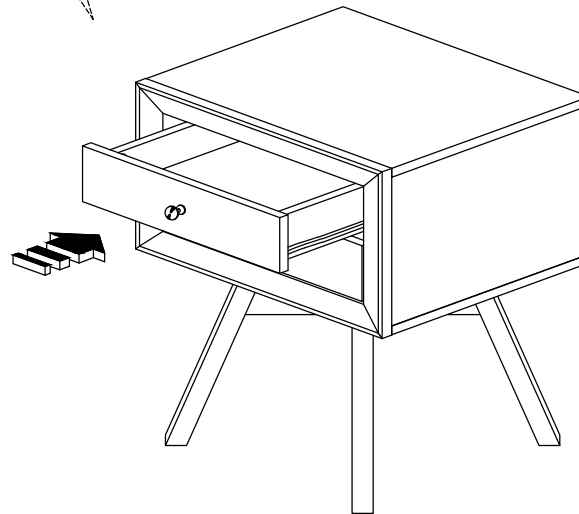
**Step 15**

*\*Install Handle with screw as shown.*



**Step 16**

*\*Place drawer into cabinet as shown.*



**Complete**

